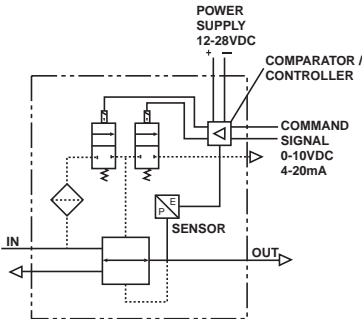


Electronic Regulator ER1 / ER2

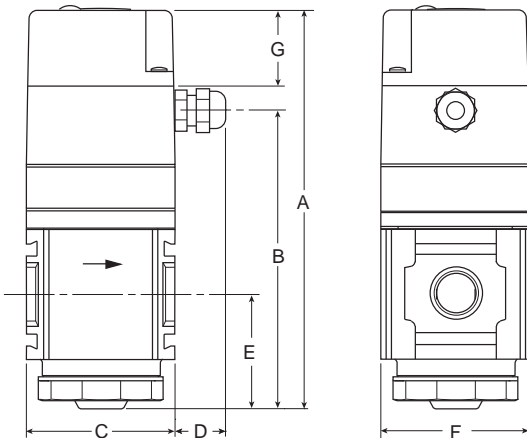
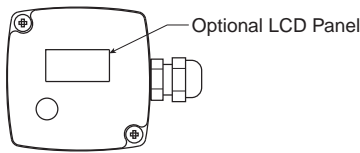
= "Most Popular"



ER1-02-0000

Features

- Optional LCD Panel Displays P2 Pressure in PSIG or bar
- Modern Design and Appearance
- Light Weight
- High Flow Capacity
- 5 Micron Filtration to Controller is Built-in



Dimensions

Models	Inches (mm)	A	B	C	D	E	F	G
Standard Unit ER1-XX-0000		6.31 (160)	4.71 (120)	2.35 (60)	0.79 (20)	1.79 (45)	2.35 (60)	1.20 (30)
Standard Unit ER2-XX-0000		6.31 (160)	4.71 (120)	2.88 (73)	0.79 (20)	1.79 (45)	2.88 (73)	1.20 (30)

Specifications

Flow Capacity*	ER1	1/4	165 SCFM (77.9 dm ³ /s)
		3/8	200 SCFM (94.4 dm ³ /s)
		1/2	200 SCFM (94.4 dm ³ /s)
	ER2	3/8	200 SCFM (94.4 dm ³ /s)
		1/2	200 SCFM (94.4 dm ³ /s)
		3/4	200 SCFM (94.4 dm ³ /s)
Adjusting Range	0 to 125 PSIG (0 to 8.6 bar)		
Hysteresis / Repeatability	± .8% of Full Scale		
Linearity	< 1.0 PSIG (0.6 bar)		
Maximum Supply Pressure	150 PSIG (10.3 bar)		
Operating Temperature	32° to 125°F (0° to 52°C)		
Port Size	NPT / BSPP-G	1/4, 3/8, 1/2, 3/4	
Response	with Step Input 600 ms		
Sensitivity	± .8% of Full Scale		
Weight	lb. (kg)	ER1	1.76 (0.8)
		ER2	2.43 (1.1)


* Inlet pressure 150 PSIG (10.3 bar). Secondary pressure 90 PSIG (6.2 bar).

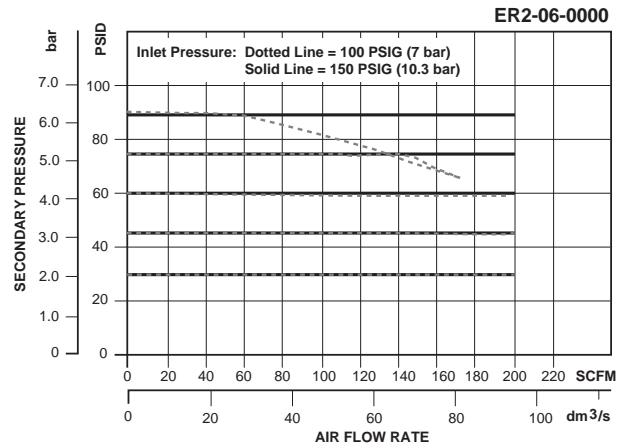
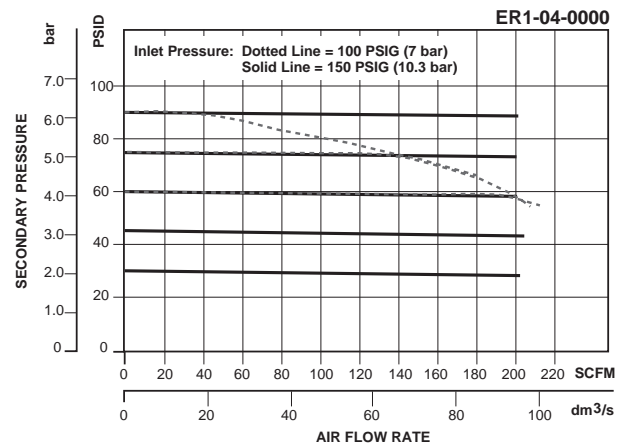
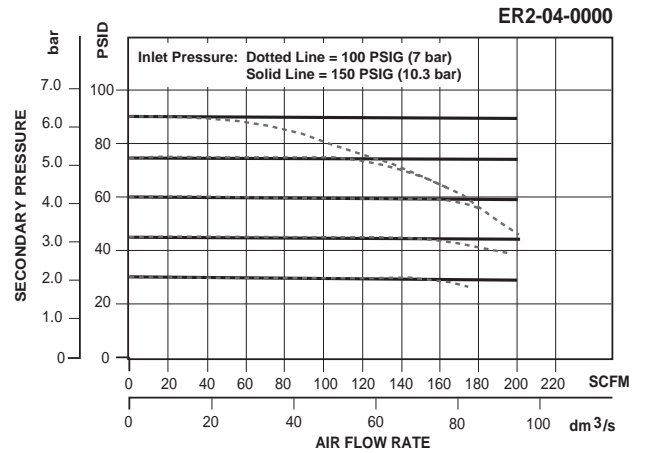
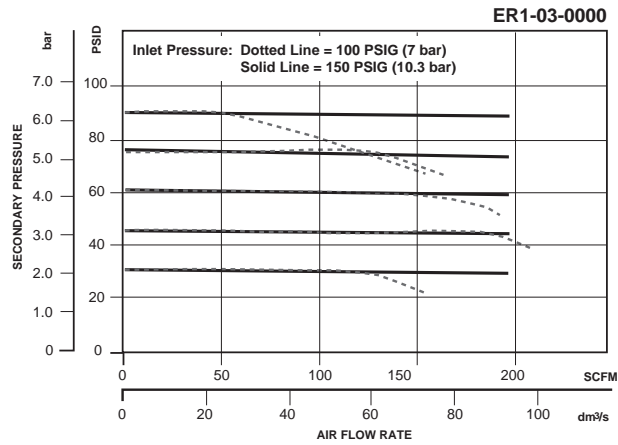
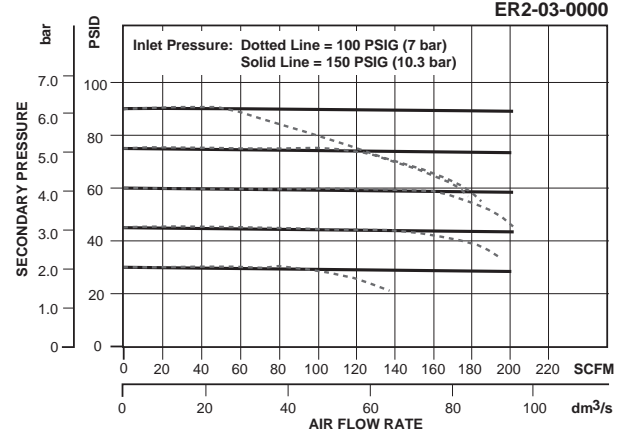
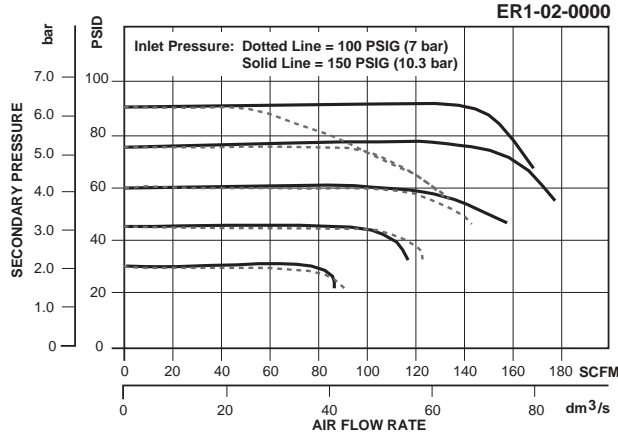
Materials of Construction

Body	Aluminum
Body Cover	ABS
Bottom Plug	33% Glass-Filled – Nylon 6-12
Diaphragms	Nitrile / Zinc / Brass
Diaphragm Plate	Acetal
Panel Nut	Acetal
Seals	Nitrile
Springs	Music Wire / Stainless Steel
Valve Assembly	Brass / Nitrile

Accessories

Bottom Valve & Spring.....	ERP-95-794
C-Bracket –	
ER1	GPA-97-086
ER2	GPA-97-087
Diaphragm Kit –	
ER1	ERP-95-792
ER2	ERP-95-793
Exhaust Muffler	VRP-95-780

 = "Most Popular"



Ordering Information

Model Type	Port Size	0 to 10VDC With LCD (PSI)	0 to 10VDC With LCD (bar)	4 to 20mA With LCD (PSI)	4 to 20mA With LCD (bar)	0 to 10VDC Without LCD	4 to 20mA Without LCD	Internal With LCD (PSI)	Internal With LCD (bar)
ER1	1/4	ER1-02-P000	ER1-C2-B000	ER1-02-PA00	ER1-C2-BA00	ER1-02-0000	ER1-02-0A00	ER1-02-PB00	ER1-C2-BB00
	3/8	ER1-03-P000	ER1-C3-B000	ER1-03-PA00	ER1-C3-BA00	ER1-03-0000	ER1-03-0A00	ER1-03-PB00	ER1-C3-BB00
	1/2	ER1-04-P000	ER1-C4-B000	ER1-04-PA00	ER1-C4-BA00	ER1-04-0000	ER1-04-0A00	ER1-04-PB00	ER1-C4-BB00
ER2	3/8	ER2-03-P000	ER2-C3-B000	ER2-03-PA00	ER2-C3-BA00	ER2-03-0000	ER2-03-0A00	ER2-03-PB00	ER2-C3-BB00
	1/2	ER2-04-P000	ER2-C4-B000	ER2-04-PA00	ER2-C4-BA00	ER2-04-0000	ER2-04-0A00	ER2-04-PB00	ER2-C4-BB00
	3/4	ER2-06-P000	ER2-C6-B000	ER2-06-PA00	ER2-C6-BA00	ER2-06-0000	ER2-06-0A00	ER2-06-PB00	ER2-C6-BB00

Options - To order an option supplied with the unit model, add the appropriate coded suffix letter in the designated position of the model number.